

SOCIALIZING



SLIDING



CLIMBING



SENSORIAL
INTEGRATION

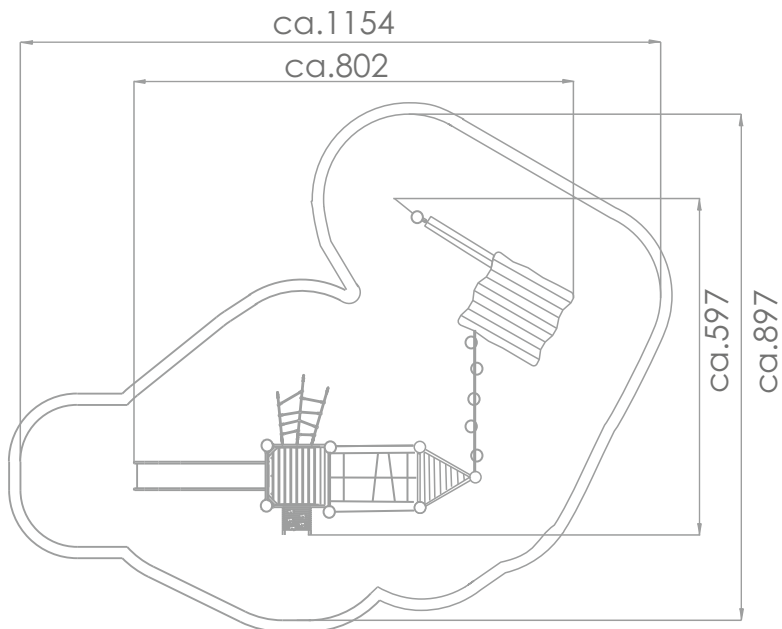
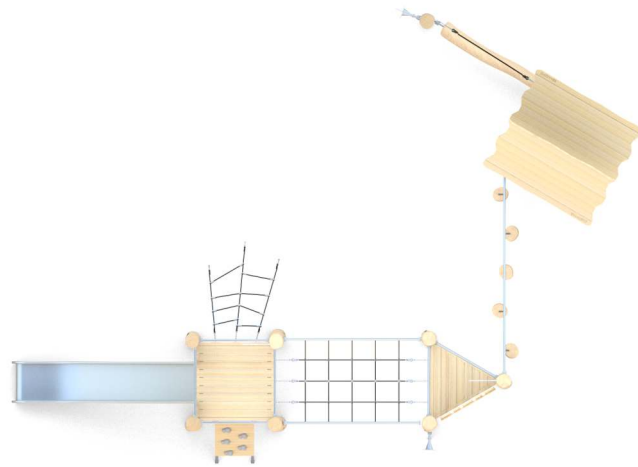


INFORMATION ABOUT THE PRODUCT

Dimensions	ca.802 x 597 cm
Safety zone	ca.1154 x 897 cm
Overall height	ca.412 cm
Free fall height	ca.150 cm
Amount of users	21 person
Product complies with PN-EN 1176-1:2017-12	YES
Availability of spare parts	YES
Age range	3-12
The biggest element:	482 cm
The heaviest element:	158 kg
According to EN 1176-1:2017-12 norm, the product requires applying a safety surface according to the product's free fall height.	





Visualisation is for reference only,
actual appearance may vary.





SCALE 1:125

MATERIALS:

<p>NATURAL ROBINIA WOOD</p>	<p>ELEMENTS CONSTRUCTION MADE OF STAINLESS STEEL AISI 304</p>	<p>PLATES OF THE WALLS MADE OF GREY TRIPLE LAYERED 15 MM HDPE POLYETHYLENE</p>	<p>SLIDES MADE OF STAINLESS STEEL AISI 304</p>	
				
<p>CLIMBING ROCKS MADE OF CHIPPINGS AND COLOURFUL POLYESTER RESIN</p>	<p>ATTESTED 6 MM STAINLESS STEEL CHAINS</p>	<p>POLYPROPYLENE ROPES PP - MULTISPLIT TYPE WITH A STEEL CORE AND A DIAMETER OF 16 MM</p>	<p>ROPE ENDINGS PRESSED IN A SLEEVE MADE OF DURABLE ALUMINUM ALLOY</p>	<p>SOLID AND ESTHETIC ROPE CONNECTORS MADE OF INJECTION MOLDED POLYAMIDE</p>
